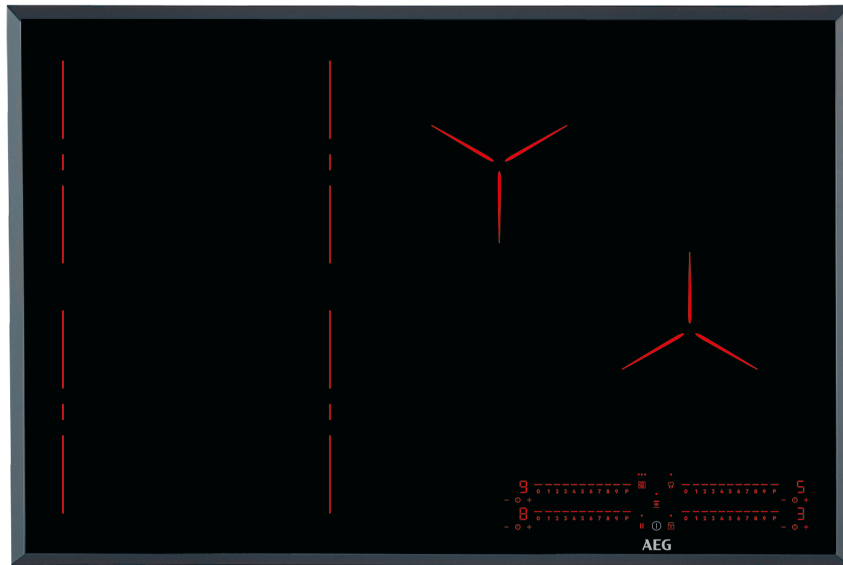


80cm Pure FlexiBridge induction cooktop with ProCook function, touch slide controls and Hob2Hood.



Product Details

FEATURES

Pure black surface

Hob2Hood
Hob2Hood automatically adjusts your hood settings so you can focus on creating delicious dishes.

ProCook function

FlexiBridge function

Touch slide controls

OptiHeat™ control
The OptiHeat™ control helps you make the most efficient use of residual heat. It advises 3 levels of residual heat whether the heat zone is still hot enough to cook with, hot enough to keep food warm, or simply hot to touch.

Pause Function
The pause function sets zones to the lowest setting to keep dishes warm and prevent overcooking.

Oko timer

Minute Minder

Function control lock

BENEFITS

Blends seamlessly into kitchen surrounds
The unique pure black surface and bevelled edges align perfectly with every kitchen style. When the hob is switched off, the ceramic glass surface is completely black. While powered, the surface illuminates to reveal red LED backlit controls and the OptiZone cooking surfaces.

Hob2Hood
Leave Hob2Hood to regulate the fan while you concentrate on the key moments involved in getting your dish just right. It will automatically control your rangehood's fan and lights.

ProCook
At the touch of a button, the FlexiBridge cooking zone switches to three pre-set temperature levels: high, medium and low so you can simply move the pan to seamlessly go from boil to simmer.

Combine zones to cook more with FlexiBridge
Activated by a dedicated touch key and seamlessly controlled through one control, FlexiBridge is perfect for cooking larger dishes.

Touch slide controls

Precise heat control in an instant. Heat levels can be adjusted quickly, easily and accurately.

OptiHeat™ control by monitoring each heat zone

The OptiHeat™ control helps you make the most efficient use of residual heat. It advises 3 levels of residual heat whether the heat zone is still hot enough to cook with, hot enough to keep food warm, or simply hot to touch.

Specifications

PRODUCT PROFILE

| | |
|---------------------------------|--------------------------|
| Domestic warranty details (yrs) | 5 |
| Cooktop type | induction |
| Materials/Colour | Pure black ceramic glass |
| Trim finish | bevelled sides only |
| Removable trim (for cleaning) | No |

CONTROLS

| | |
|-----------------------|--|
| Controls of Cooktops | Touch and Slide controls |
| Position of controls | front |
| Functions of Cooktops | Keep warm function,automatic switch off,AutoMax automatic heat up,timer,acoustic signal,booster,Hob2Hood,FlexiBridge,ProCook |
| Indicators/display | fault indicator,3 level residual heat indicator |

DIMENSIONS

| | |
|---------------------------|-----|
| Total product height (mm) | 48 |
| Total product width (mm) | 780 |
| Total product depth (mm) | 520 |
| Cut out width (mm) | 750 |
| Cut out depth (mm) | 490 |
| Cut out height (mm) | 44 |

ELEMENTS/BURNERS

LEFT FRONT ZONE

| | |
|------------------------|-------------|
| Left front zone | FlexiBridge |
| Left front Watts | 2300 |
| Left front boost watts | 3200 |
| Left front diameter mm | 220 |

CONTROLS

| | |
|---------------------|--|
| Features of Cooktop | minute minder,function lock,sound off,snap in fastening system,auto pot sensors,Hob2Hood Connectivity,FlexiBridge zone |
|---------------------|--|

| | |
|------------------|-------------------------|
| Timer of Cooktop | Oko timer,Minute minder |
|------------------|-------------------------|

LEFT REAR ZONE

| | |
|----------------|-------------|
| Left rear zone | FlexiBridge |
|----------------|-------------|

| | |
|-----------------|------|
| Left rear watts | 2300 |
|-----------------|------|

| | |
|-----------------------|-----|
| Left rear diameter mm | 220 |
|-----------------------|-----|

CENTRE REAR ZONE

| | |
|------------------|-----------|
| Centre rear zone | induction |
|------------------|-----------|

| | |
|-------------------|------|
| Centre rear Watts | 2300 |
|-------------------|------|

| | |
|-------------------------|-----|
| Centre rear diameter mm | 210 |
|-------------------------|-----|

RIGHT FRONT ZONE

| | |
|------------------|-----------|
| Right front zone | induction |
|------------------|-----------|

| | |
|-------------------|------|
| Right front Watts | 1800 |
|-------------------|------|

| | |
|-------------------------|-----|
| Right front diameter mm | 180 |
|-------------------------|-----|

ELECTRICAL SPECIFICATIONS

| | |
|-------------------|-----|
| Connected load KW | 7.4 |
|-------------------|-----|

| | |
|--------------------|-----------|
| Type of connection | hardwired |
|--------------------|-----------|

SHIPPING

| | |
|----------------------|-------|
| Shipping Volume (m3) | 0.061 |
|----------------------|-------|

SHIPPING

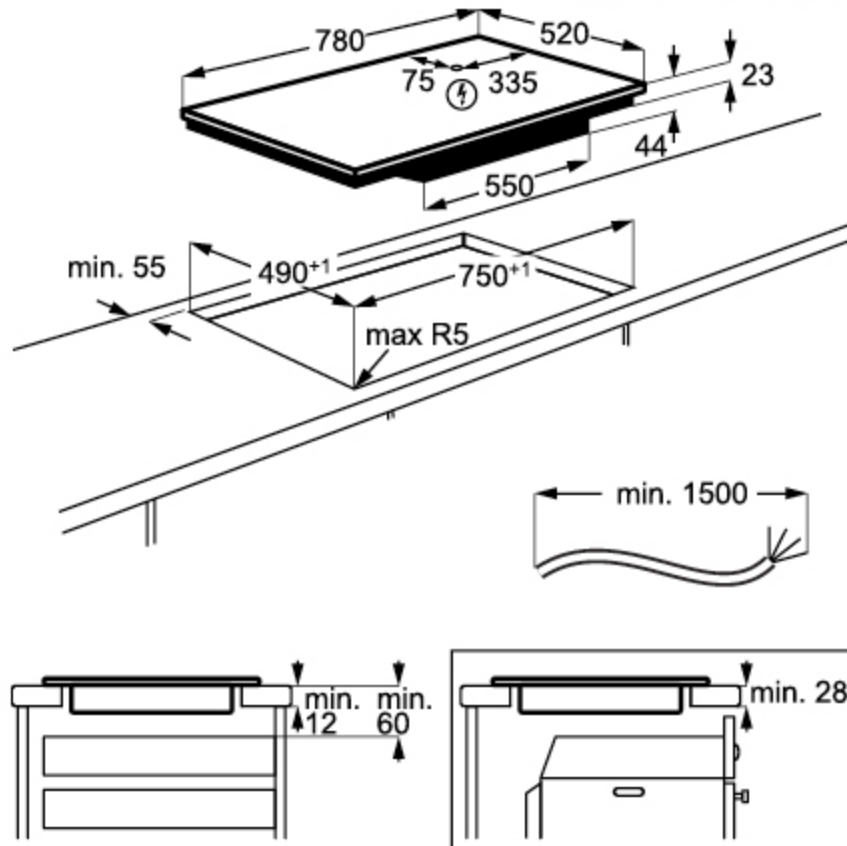
| | |
|----------------------|----|
| Shipping Weight (Kg) | 14 |
|----------------------|----|

| | |
|-----------------------------|-----|
| Pack Dimensions Height (mm) | 118 |
|-----------------------------|-----|

| | |
|---------------------------|-----|
| Pack Dimension Width (mm) | 868 |
|---------------------------|-----|

| | |
|---------------------------|-----|
| Pack Dimension Depth (mm) | 600 |
|---------------------------|-----|

Dimensions



IMPORTANT

These dimensions are a guide only. All measurements are in millimetres (mm).
For complete installation instructions, refer to the manual provided with product.

Terms and Conditions

IMPORTANT

This is a guide of product dimensions only. For complete installation instructions, refer to the manual provided with product.

PRODUCT INFORMATION

The descriptors and illustrations in this publication apply to the specific products and models described as at the date of issue. Under our policy of continuous product development, product specifications may change without notice. Prospective purchasers should therefore check with their retailer to ensure this publication correctly describes the products that are being offered for sale. All information supplied is to be used for general reference purposes only and is on the understanding that Electrolux Home Products Pty Ltd (Australia) and Electrolux (NZ) Ltd (New Zealand) will not be liable for any loss, liability or damage of whatever kind arising as a result of reliance on such information. Colours of products illustrated are as close as printing limitations allow. Electrolux will at all times comply with its obligations pursuant to law including Trade Practices (Australian Consumer Law) Act and Regulations.

WARRANTY

Electrolux Home Products warrants that for domestic applications the AEG appliances featured are free from defects in materials and workmanship for 5 years (3 months warranty for commercial applications). All warranties are subject to the conditions set out in the warranty card accompanying the product when purchased.

ELECTROLUX HOME PRODUCTS AUSTRALIA

telephone: 1300 363 664

fax: 1800 350 067

email: customercare@aegaustralia.com.au

web: www.aeg.com/au

ELECTROLUX HOME PRODUCTS NEW ZEALAND

telephone: 0800 10 66 10

fax: 09 573 2221

email: customercare@electrolux.co.nz

web: www.aeg.com/au