

PrecisionVac™ matte black SousVide Vacuum Sealer Drawer with vacuum chamber, LED lighting, fully adjustable extraction and functions including vacuum, marinating and sealing.

RRP AUS \$4,499.00



Product Details

FEATURES

The finest ingredients deserve the finest treatment. Our PrecisionVac™ SousVide vacuum sealer drawer offers fully adjustable air extraction for perfect vacuum control, so you can vacuum seal any dish from liquids and marinades, to delicate fish, fruit and vegetables. Adjust the level of vacuum as high as 99.9% vacuum to ensure each ingredient gets the treatment it requires for perfect sealing treatment.

LED touch controls for easy use

Adjustable sealing time

Adjustable vacuum control with up to 99.9% vacuum

Advanced preservation of food for extended freshness

BENEFITS

PROFESSIONALLY PERFECT RESULTS

The AEG PrecisionVac vacuum sealer drawer brings restaurant standards to home cooking. With the unique chamber vacuum system, you can cook like a professional chef by sealing in the flavour, moisture and nutrients of ingredients until you are ready to cook them to perfection in the oven.

PRESERVE THE VERY BEST IN YOUR FOOD'S TASTE AND TEXTURE

Preserve the moisture, flavour and freshness of ingredients for longer than standard fridge storage through professional-quality vacuum sealing. Prepare, seal and store the ingredients at your leisure, giving you full confidence that freshness and flavour will be perfectly preserved until you are ready to serve, cook or reheat.

ULTIMATE FLAVOUR CONTROL

By cooking food in a vacuum sealed bag using the SousVide method, all the moisture and juices in the food are locked in the bag. The flavour is enhanced as the flavouring ingredients infuse the food, while keeping aromas separate and making cleaning effortless.

MARINATE AND INFUSE

Marinate ingredients in mere minutes, not hours or overnight, with the AEG PrecisionVac vacuum sealer drawer. The marinating and infusion cycle has a preset time of a just eight minutes making it an exceptionally efficient way to enhance meal preparation.

Specifications

PRODUCT PROFILE

Domestic warranty details (yrs)	5
Type	vacuum sealer drawer
Fuel Type	electric
Materials/Colour	matte black
Controls	Touch control
Control panel material	matte black
Control panel design	Flat
Handle design	None - push/pull
Handle Finish/Colour	stainless steel
Door material (exterior)	matte black

FLUSH FIT CUT OUT

Flush fit cut out height (mm)	141
Flush fit cut out width (mm)	560

DIMENSIONS

PRODUCT DIMENSION

Total height (mm)	140
Total width (mm)	540
Total depth (mm)	510

INTERNAL DIMENSIONS

Internal cavity height (mm)	72
Internal cavity width (mm)	408

Flush fit cut out depth (mm)	550
------------------------------	-----

Internal cavity depth (mm)	276
----------------------------	-----

FUNCTIONS

Number of functions	5
---------------------	---

Functions	Max. vacuum,Min. vacuum,Sealing time,Marinating/Infusion,Med. vacuum
-----------	--

GAS SPECIFICATIONS

Included accessories	200 x 300mm bags (Pack of 25),200 x 350mm bags (Pack of 25),volume reducer
----------------------	--

ELECTRICAL CONNECTION

Connected load KW	1.15
-------------------	------

Type of connection	Power cord
--------------------	------------

SHIPPING

Shipping Volume (m3)	0.181
----------------------	-------

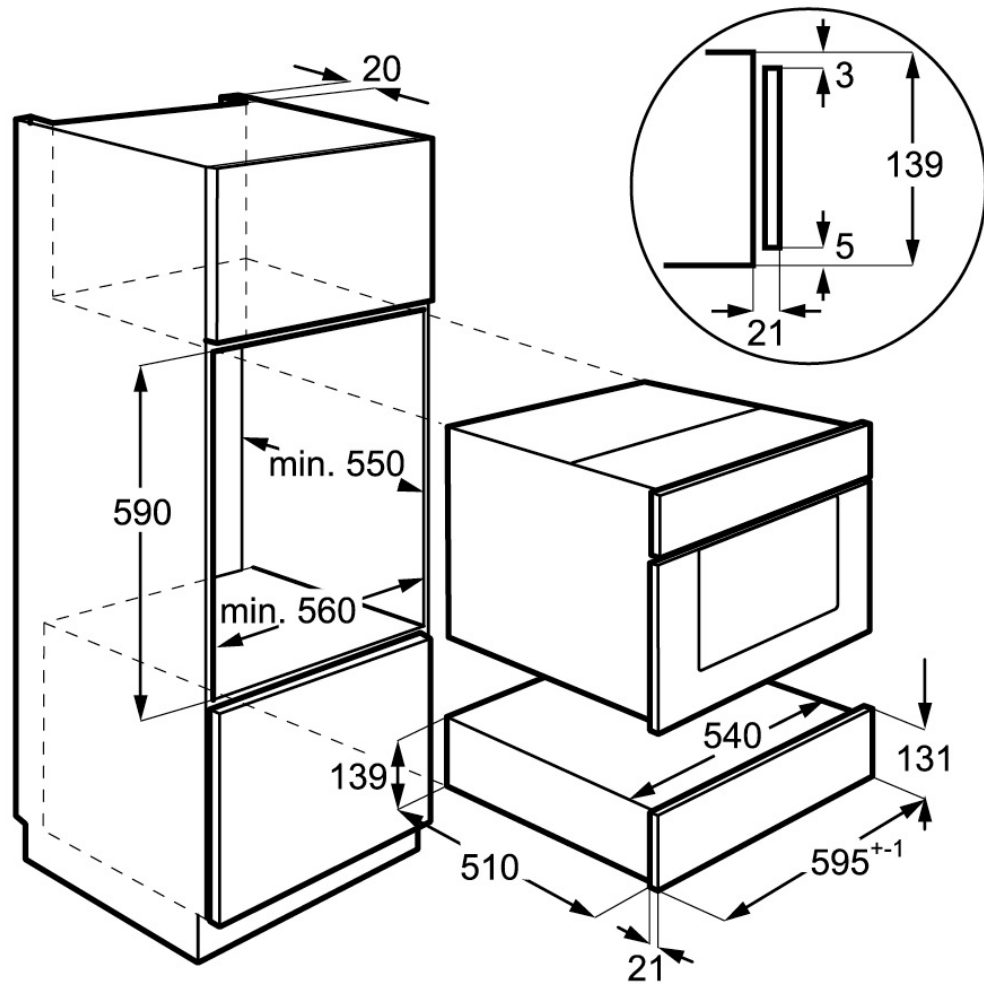
Shipping Weight (Kg)	42
----------------------	----

Pack Dimensions Height (mm)	360
-----------------------------	-----

Pack Dimension Width (mm)	800
---------------------------	-----

Pack Dimension Depth (mm)	630
---------------------------	-----

Dimensions



IMPORTANT

These dimensions are a guide only. All measurements are in millimetres (mm).
For complete installation instructions, refer to the manual provided with product.

Terms and Conditions

IMPORTANT

This is a guide of product dimensions only. For complete installation instructions, refer to the manual provided with product.

PRODUCT INFORMATION

The descriptors and illustrations in this publication apply to the specific products and models described as at the date of issue. Under our policy of continuous product development, product specifications may change without notice. Prospective purchasers should therefore check with their retailer to ensure this publication correctly describes the products that are being offered for sale. All information supplied is to be used for general reference purposes only and is on the understanding that Electrolux Home Products Pty Ltd (Australia) and Electrolux (NZ) Ltd (New Zealand) will not be liable for any loss, liability or damage of whatever kind arising as a result of reliance on such information. Colours of products illustrated are as close as printing limitations allow. Electrolux will at all times comply with its obligations pursuant to law including Trade Practices (Australian Consumer Law) Act and Regulations.

WARRANTY

Electrolux Home Products warrants that for domestic applications the AEG appliances featured are free from defects in materials and workmanship for 5 years (3 months warranty for commercial applications). All warranties are subject to the conditions set out in the warranty card accompanying the product when purchased.

ELECTROLUX HOME PRODUCTS AUSTRALIA

telephone: 1300 363 664

fax: 1800 350 067

email: customercare@aegaustralia.com.au

web: www.aeg.com/au

ELECTROLUX HOME PRODUCTS NEW ZEALAND

telephone: 0800 10 66 10

fax: 09 573 2221

email: customercare@electrolux.co.nz

web: www.aeg.com/au