

Compact CombiQuick matte black microwave oven with TFT touchscreen, microwave & grill combination cooking and SurroundCook.



Product Details

FEATURES

Microwave grill combination

Intuitive TFT display
Full touchscreen TFT display with preset programs and sous-chef like support.

CombiQuick

Grill function

Dough Proving

Slow Cooking
Get those tender results with the built in Slow Cooking function.

BENEFITS

CRISP RESULTS. FAST.

Crisp up a crust at the touch of a button with our microwave grill function. From the crispy topping on a lasagne to the crisp lid of a creme brulee, recreate the textures and tastes of slow oven cooking with the speed and efficiency of a microwave.

CONTROL AND PRECISION

The responsive touch-screen TFT display gives intuitive access to the different functions of the oven and provides you with direct feedback, ensuring you have full control at your fingertips.

DELICIOUS DISHES. FASTER

CombiQuick combines normal oven functions with the grill and microwave so you can serve exquisitely cooking meals with less time.

THE PERFECT GRILLED FINISH

Add a delicious crisp finish to lasagnes with the oven's grill function. The built-in heating element projects heat downwards, to delicately brown or toast your meals.

YOUR BUILT-IN COOKING GUIDE

90 specially designed pre-set recipe programs mean you can select the dish you want to cook and let the oven do the rest.

Specifications

PRODUCT PROFILE

Domestic warranty details (yrs)	5
Type of Oven	compact oven
Oven fuel	electric
Materials/Colour	matte black
Controls of Oven	TFT touchscreen
Cooling fan	Yes

FLUSH FIT CUT OUT

Flush fit cut out height (mm)	460
Flush fit cut out width (mm)	600
Flush fit cut out depth (mm)	570

DIMENSIONS

PRODUCT DIMENSION

Total height (mm)	455
Total width (mm)	594
Total depth (mm)	567

MAIN OVEN

Gross capacity litres	49
Useable capacity litres	43
Oven function	multifunction
Number of functions	23

MAIN OVEN

Oven Functions	grill,pizza,keep warm,defrost,conventional cooking,bottom heat,microwave and true fan,microwave and grill,microwave,turbo grill,true fan cooking,bread baking,browning/ au gratin,dough proving,frozen foods,plate warming,preserving,slow cooking,Steam Reheat,liquid,Dehydrating,microwave and conventional cooking,microwave and turbo grill
----------------	---

Oven liner	enamel
------------	--------

Timer functions	duration,end,Auto off ,Cook time,End time,Time of day,24 hour clock
-----------------	---

Light wattage	25
---------------	----

ELECTRICAL CONNECTION

Connected load KW	3.0
-------------------	-----

Maximum current rating (amps)	16
-------------------------------	----

Type of connection	hardwired
--------------------	-----------

OTHER FEATURES

Number of Programmed functions	90
--------------------------------	----

Auto cook programs	Yes
--------------------	-----

Door	removable door,drop down,IsoFront cool door
------	---

Timer	Programmable timer
-------	--------------------

Lights	1
--------	---

Light wattage	25
---------------	----

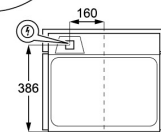
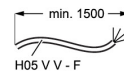
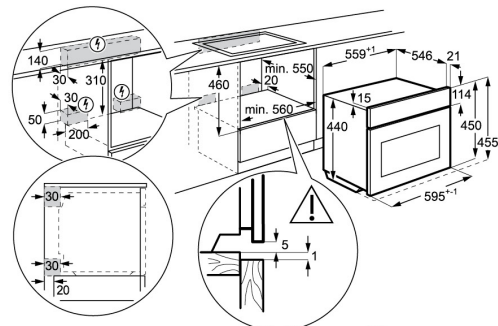
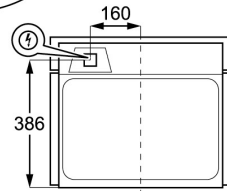
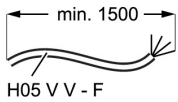
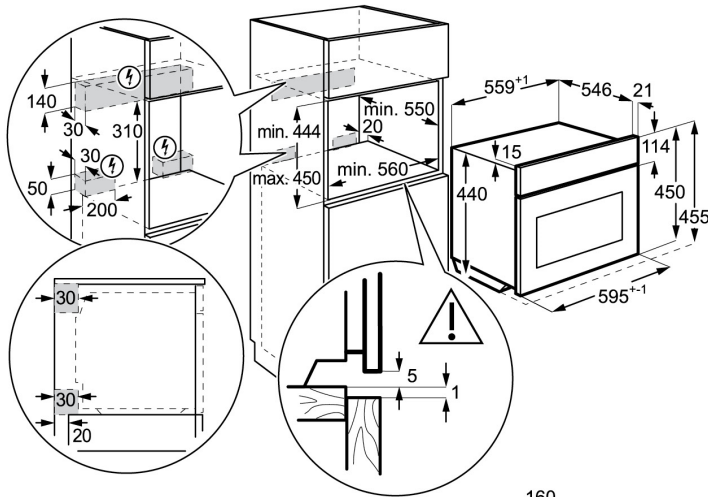
OTHER FEATURES

Light position	top
Shelf support	multi position side racks
Safety features	isofront plus triple glazed door
Closed door grilling	Yes
Included accessories	cake tray, 1 x chromed wire rack, side racks
Layers of glass in door	3
Number of shelf positions	4
Food probe	No

SHIPPING

Shipping Volume (m3)	0.236
Shipping Weight (Kg)	41.8
Pack Dimensions Height (mm)	555
Pack Dimension Width (mm)	635
Pack Dimension Depth (mm)	670

Dimensions



IMPORTANT

These dimensions are a guide only. All measurements are in millimetres (mm).
For complete installation instructions, refer to the manual provided with product.

Terms and Conditions

IMPORTANT

This is a guide of product dimensions only. For complete installation instructions, refer to the manual provided with product.

PRODUCT INFORMATION

The descriptors and illustrations in this publication apply to the specific products and models described as at the date of issue. Under our policy of continuous product development, product specifications may change without notice. Prospective purchasers should therefore check with their retailer to ensure this publication correctly describes the products that are being offered for sale. All information supplied is to be used for general reference purposes only and is on the understanding that Electrolux Home Products Pty Ltd (Australia) and Electrolux (NZ) Ltd (New Zealand) will not be liable for any loss, liability or damage of whatever kind arising as a result of reliance on such information. Colours of products illustrated are as close as printing limitations allow. Electrolux will at all times comply with its obligations pursuant to law including Trade Practices (Australian Consumer Law) Act and Regulations.

WARRANTY

Electrolux Home Products warrants that for domestic applications the AEG appliances featured are free from defects in materials and workmanship for 5 years (3 months warranty for commercial applications). All warranties are subject to the conditions set out in the warranty card accompanying the product when purchased.

ELECTROLUX HOME PRODUCTS AUSTRALIA

telephone: 1300 363 664

fax: 1800 350 067

email: customercare@aegaustralia.com.au

web: www.aeg.com/au

ELECTROLUX HOME PRODUCTS NEW ZEALAND

telephone: 0800 10 66 10

fax: 09 573 2221

email: customercare@electrolux.co.nz

web: www.aeg.com/au