

Commercial exclusive model. 60cm 10 Function Pyroluxe™ Oven with SteamBake function



Product Details

FEATURES

Pyroluxe™ self cleaning	SenseCook food sensor	OptiFlex™ telescopic runners	MaxiView™ enlarged window
IsoFront™ - A genuine cooler door	European A+ Class Energy Rating	Anti-fingerprint stainless steel	FloodLight™ system

BENEFITS

Add steam for crispier baking

The SteamBake button in this oven adds steam at the beginning of the baking process. The steam cooking keeps the dough moist on the surface to create a golden colour and tasty crust, while the centre stays soft and tender. In addition to baking crispy and tasty breads, muffins and pies - your roast chicken, grilled meats and lasagne will get equally delicious cooking results.

Pyroluxe™ Self Cleaning

The advanced self-cleaning function takes all the effort out of keeping your oven clean. By heating the oven to 500C, all food residue is turned to ash, which can then be simply wiped out with a damp cloth.

Rare. Medium. Well done. At your command with SenseCook Your personal sous chef. Use the Food Sensor to tell the oven how you want your dish cooked using just the words you would in a restaurant rare, medium, or well done. Without even opening the oven door, everything from tender joints of meat to molten chocolate fondants are controlled and mastered. At last, an oven that speaks your language.

MaxiView™ Enlarged Window

The enlarged window on the door is 20% larger than previous models, so now you can see exactly whats happening throughout the entire cooking process.

Specifications

PRODUCT PROFILE

Domestic warranty details (yrs)	5
Type of Oven	single Pyroluxe
Oven fuel	electric
Materials/Colour	anti-fingerprint stainless
Controls of Oven	retractable control knobs
Cooling fan	Yes

FLUSH FIT CUT OUT

Flush fit cut out height (mm)	600
Flush fit cut out width (mm)	600
Flush fit cut out depth (mm)	580

DIMENSIONS

PRODUCT DIMENSION

Total height (mm)	594
Total width (mm)	595
Total depth (mm)	567

MAIN OVEN

Gross capacity litres	77
Useable capacity litres	71
Oven function	Pyrolytic
Number of functions	10

MAIN OVEN

Oven Functions	defrost,pyroluxe,bottom heat,true fan cooking,grilling,turbo grilling,fast heat up,conventional cooking/traditional cooking,moist fan baking
----------------	--

Timer functions	acoustic signal,duration,end,minute minder,Auto off ,End time,Delayed start,Time of day,function lock,cleaning reminder,demo mode,fast heat up
-----------------	--

Light wattage	40
---------------	----

SECOND OVEN OR GRILL

Fold down grill element	No
-------------------------	----

Closed door grilling	Yes
----------------------	-----

ELECTRICAL CONNECTION

Connected load KW	3.2
-------------------	-----

Maximum current rating (amps)	14
-------------------------------	----

Type of connection	hardwired
--------------------	-----------

Minimum Fuse rating (amps)	16
----------------------------	----

OTHER FEATURES

Program Options	core temperature sensor
-----------------	-------------------------

Cleaning	pyrolytic
----------	-----------

SHIPPING

Shipping Volume (m3)	0.285
----------------------	-------

Shipping Weight (Kg)	40
----------------------	----

OTHER FEATURES

Pyrolytic functions	2
Type of Pyrolytic functions	pyrolytic light soil,pyrolytic heavy soil
Door	IsoFront cool door
Timer	Programmable timer
Lights	1
Light wattage	40
Light position	top
Telescopic runners	two
Shelf support	multi position side racks
Number of shelves	2
Safety features	isofront plus quadruple glazed door,auto safety switch off,child button lock
Closed door grilling	Yes
Fold down grill element	No
Included accessories	2 x anti-stick wire shelves,1 x anti-stick wire shelf trivet,1 x anti-stick dripping pan

SHIPPING

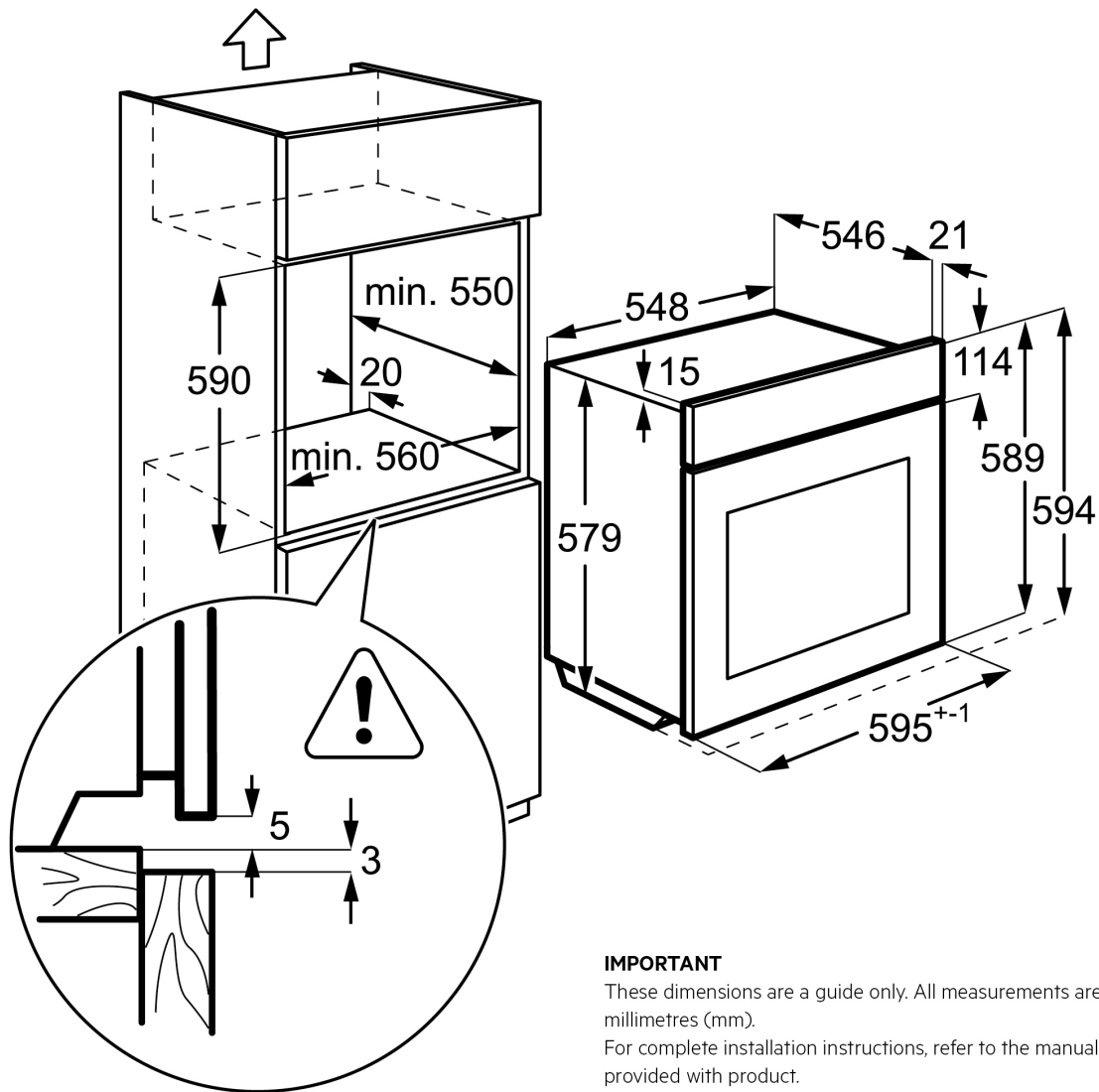
Pack Dimensions Height (mm)	670
Pack Dimension Width (mm)	635
Pack Dimension Depth (mm)	670

OTHER FEATURES

Layers of glass in door 4

Number of shelf positions 5

Dimensions



Terms and Conditions

IMPORTANT

This is a guide of product dimensions only. For complete installation instructions, refer to the manual provided with product.

PRODUCT INFORMATION

The descriptors and illustrations in this publication apply to the specific products and models described as at the date of issue. Under our policy of continuous product development, product specifications may change without notice. Prospective purchasers should therefore check with their retailer to ensure this publication correctly describes the products that are being offered for sale. All information supplied is to be used for general reference purposes only and is on the understanding that Electrolux Home Products Pty Ltd (Australia) and Electrolux (NZ) Ltd (New Zealand) will not be liable for any loss, liability or damage of whatever kind arising as a result of reliance on such information. Colours of products illustrated are as close as printing limitations allow. Electrolux will at all times comply with its obligations pursuant to law including Trade Practices (Australian Consumer Law) Act and Regulations.

WARRANTY

This warranty only applies to Appliances purchased and used in Australia or New Zealand and used in normal domestic applications and is in addition to (and does not exclude, restrict, or modify in any way) any non-excludable statutory warranties in Australia or New Zealand. All warranties are subject to the conditions set out in the warranty card accompanying the product when purchased.

ELECTROLUX HOME PRODUCTS AUSTRALIA

telephone: 1300 363 640

fax: 1800 350 067

email: customercare@electrolux.com.au

web: www.electrolux.com.au

ELECTROLUX HOME PRODUCTS NEW ZEALAND

telephone: 09 573 2230

fax: 09 573 2221

email: customercare@electrolux.co.nz

web: www.electrolux.co.nz